

Contents

Important User Information	2	LED Light Fixture	7
General	2	Slatwall Kit Components	8
Manufacturer	2	Kiosk Take Down	9
Intended Use	2	Care and Maintenance	11
Warranty	2	Cleaning	11
Safety Precautions	3	Maintenance	11
Moving the Kiosk	4	Transporting the Kiosk	11
Kiosk Set Up	5	Replacement Parts	12



Visit the GearBoss Mobile Kiosk web page at wengercorp.com for more information.

Note: Please read and understand these instructions before proceeding.
Note: If you need additional information, contact Wenger Corporation using the information below.

Important User Information

General

Copyright © 2024 by Wenger Corporation

All rights reserved. No part of the contents of this manual may be reproduced, copied, or transmitted in any form or by any means including graphic, electronic, or mechanical methods or photocopying, recording, or information storage and retrieval systems without the written permission of the publisher, unless it is for the purchaser's personal use.

Printed and bound in the United States of America.

The information in this manual is subject to change without notice and does not represent a commitment on the part of Wenger Corporation. Wenger Corporation does not assume any responsibility for any errors that may appear in these instructions.

In no event will Wenger Corporation be liable for technical or editorial omissions made herein, nor for direct, indirect, special, incidental, or consequential damages resulting from the use or defect of these instructions. The manufacturer reserves the right to change this product at any time.

The information in this document is not intended to cover all possible conditions and situations that might occur. The end user must exercise caution and common sense when assembling or installing Wenger Corporation products. If any questions or problems arise, call the Wenger Corporation at (800) 4WENGER (493-6437) or +1-507-455-4100 worldwide.

Manufacturer

The GearBoss Mobile Kiosk is manufactured by:

Wenger Corporation
555 Park Drive
Owatonna, MN 55060
(800) 4WENGER (493-6437) • +1 (507) 455-4100
wengercorp.com

Intended Use

- This product is intended to transport and display goods both indoors and outdoors during normal ambient temperature and humidity conditions — it must not be exposed to prolonged outside weather conditions.
- This product is intended to be operated and moved only as described in these instructions.
- Never leave merchandise inside the Mobile Kiosk when it is parked in an unsecured area. A locked Mobile Kiosk is relatively secure, but break-ins are better discouraged by storing it in a locked room or well lighted public area.

Warranty

Warranty information is available at wengercorp.com.

Safety Precautions

Throughout this document you may find cautions and warnings which are defined as follows:

- **WARNING:** Failure to follow the instruction could result in serious injury or damage to property.
- **CAUTION:** Failure to follow the instruction could result in minor injury or damage to property.

Read all of these safety instructions before assembly, installation or use.


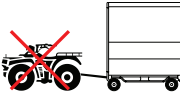





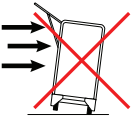







⚠ CAUTION

Make sure anyone assembling, installing or using this product has read and understands these instructions.

⚠ CAUTION

Failure to comply with Warnings and Cautions in this document or on the equipment can result in damage to property or injury.

⚠ CAUTION

 <p><i>Make sure that anyone who operates the kiosk has read and understands these instructions.</i></p>	 <p><i>Never move the kiosk with a motorized vehicle.</i></p>
 <p><i>Always use at least two people to move the kiosk.</i></p>	 <p><i>Never move the kiosk up or down inclines greater than 5°.</i></p>
 <p><i>Always set the parking brake when the kiosk is parked.</i></p>	 <p><i>Never move or position the kiosk sideways on an incline.</i></p>
 <p><i>Never move the kiosk over rough or soft terrain.</i></p>	 <p><i>Never deploy the kiosk when exposed to wind speeds greater than 20 mph (32 kph).</i></p>
 <p><i>Never move the kiosk at more than a normal walking speed.</i></p>	 <p><i>Never move the kiosk when deployed.</i></p>
 <p><i>Never load the kiosk with more than 200 lb (91 kg).</i></p>	 <p><i>If AC power is supplied to the kiosk, always use an outlet that has Ground Fault Circuit Interrupter (GFCI) protection.</i></p>
 <p><i>Never stand or ride on the kiosk.</i></p>	 <p><i>Exposing the kiosk to rain or excessive moisture could result in damage.</i></p>
 <p><i>Never supply AC power to the kiosk if the ground is wet or if rain is expected.</i></p>	

Moving the Kiosk

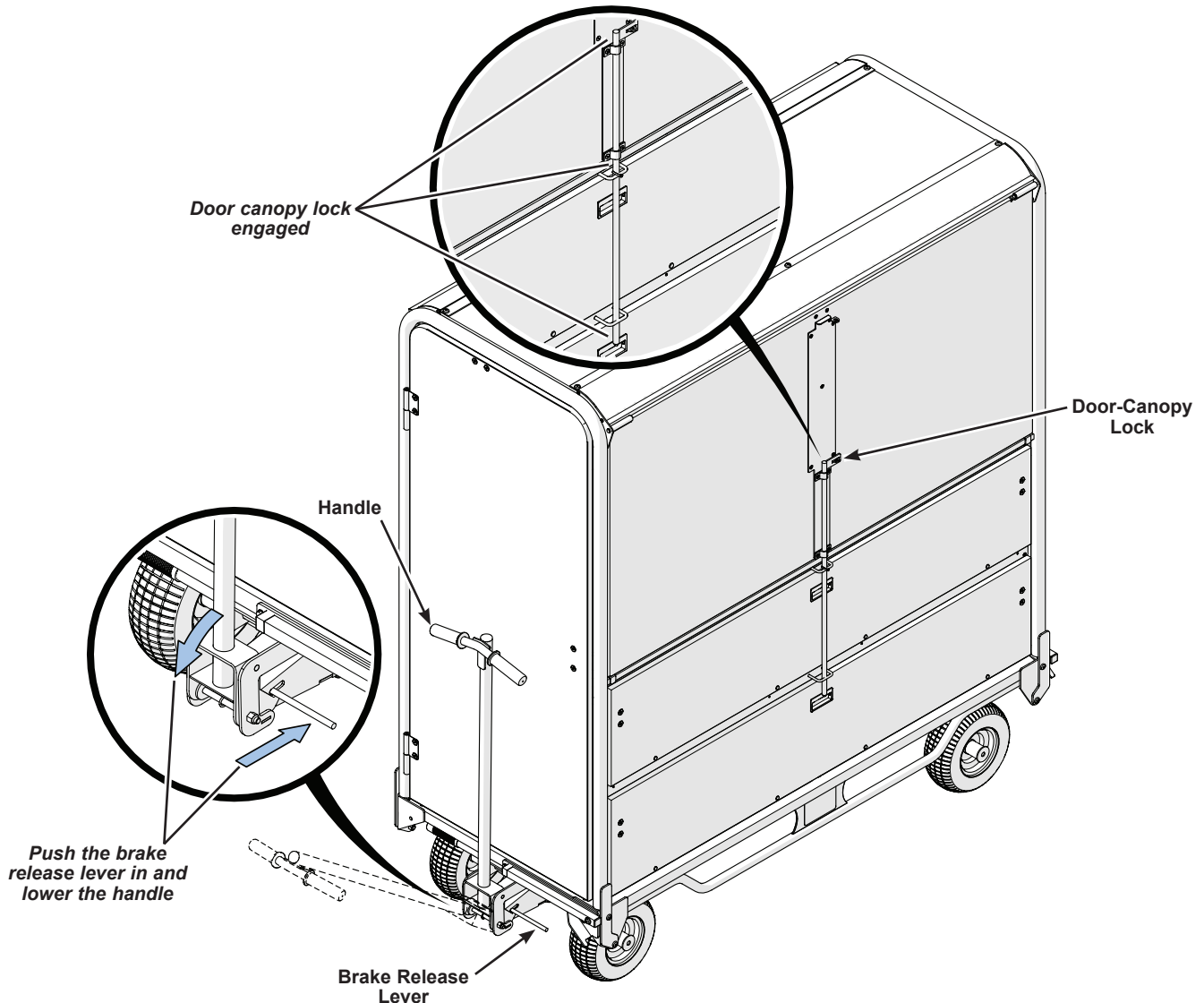


Be sure all packaging is removed according to the "Mobile Kiosk Unloading Instructions".

CAUTION

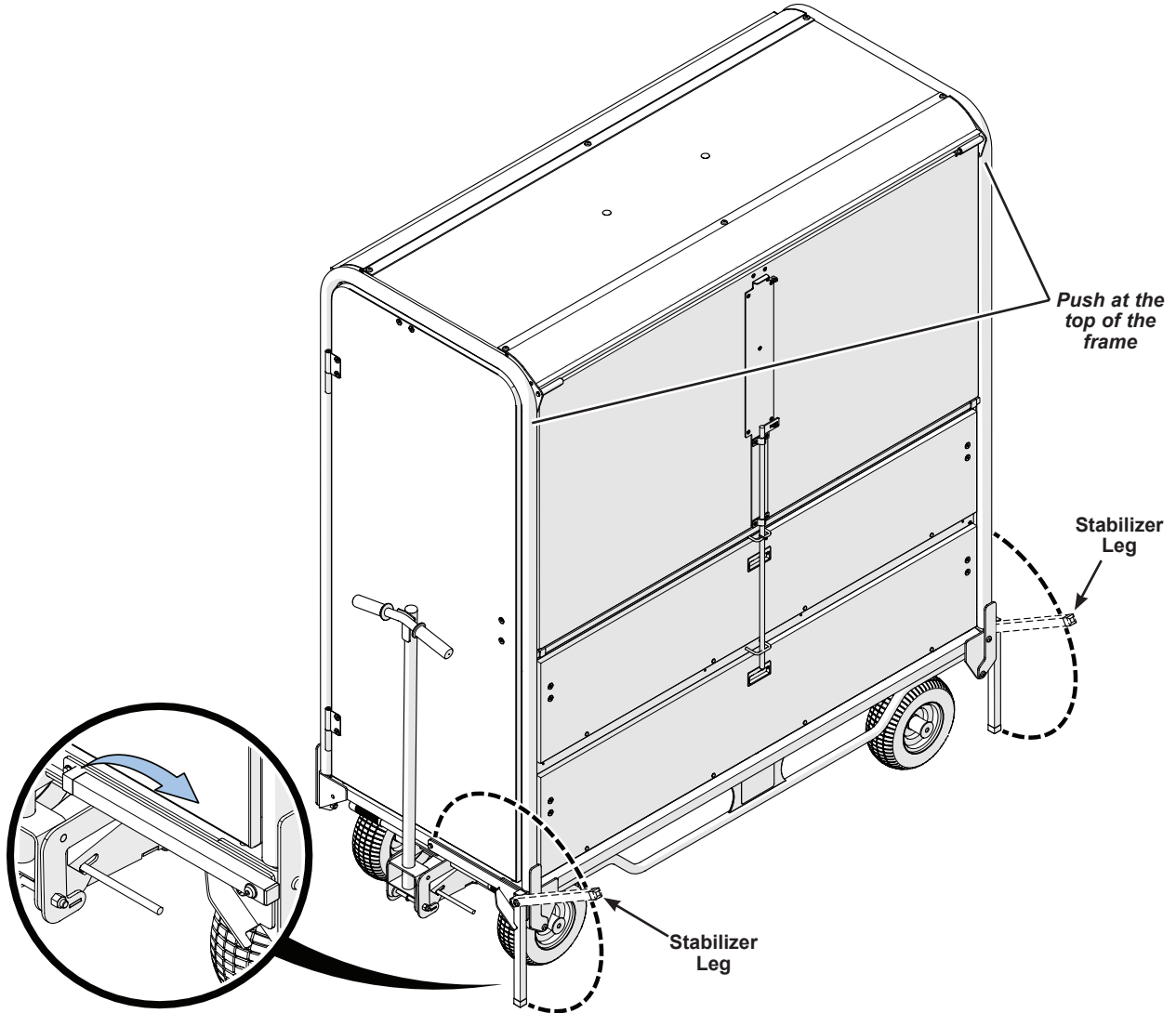
- Always use at least two people to move the kiosk.
- Pulling a heavy load at high speed can cause a crash. Never exceed 10 mph (16 kph) if the kiosk is empty. Never exceed 5 mph (8 kph) if the kiosk is loaded or if the surface is uneven.
- Pull the kiosk slowly if turns are tight or if the route includes ramps or inclines.

1. Be sure that the door-canopy lock is engaged to secure the doors and canopy.
2. Push the brake release lever in with your foot to disengage the parking brake and lower the handle.
3. Carefully move the kiosk to the new location.
4. With the kiosk in position, raise the handle back up and over the brake release lever to engage the parking brake.



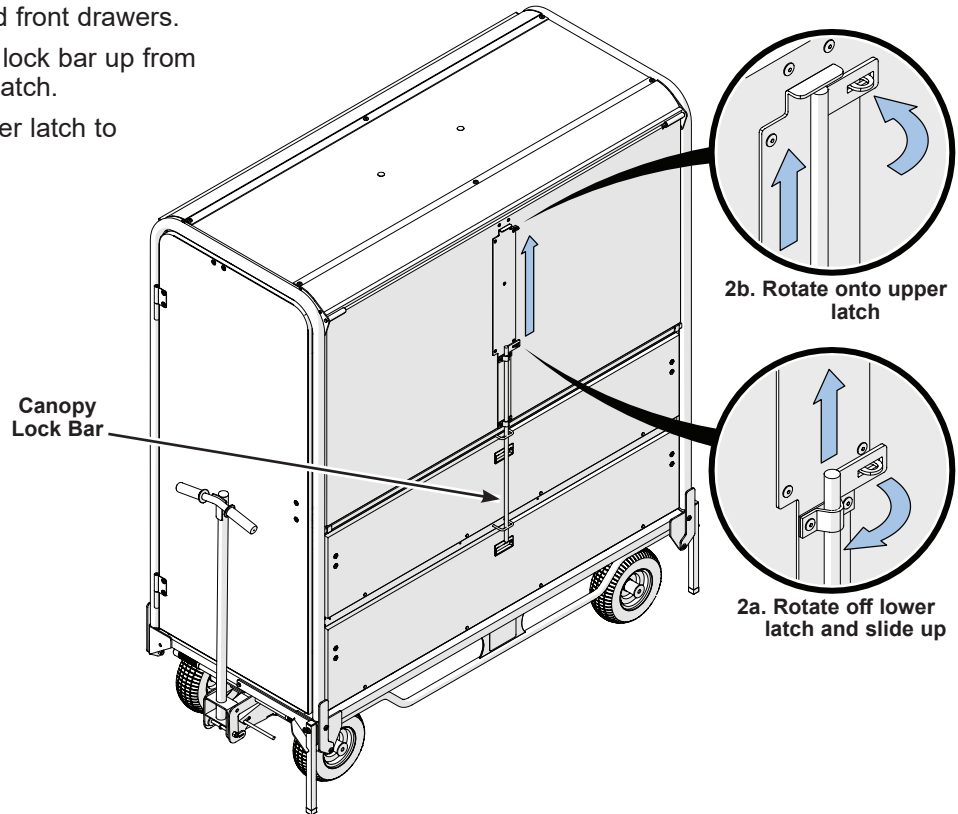
Kiosk Set Up

1. Fold down the two stabilizer legs at the front of the kiosk.
 - a. Flip each leg forward until it contacts the ground.
 - b. Slightly push back at the top of the frame to allow better floor clearance while pushing the leg with your foot until it is straight up and down.



Kiosk Set Up (continued)

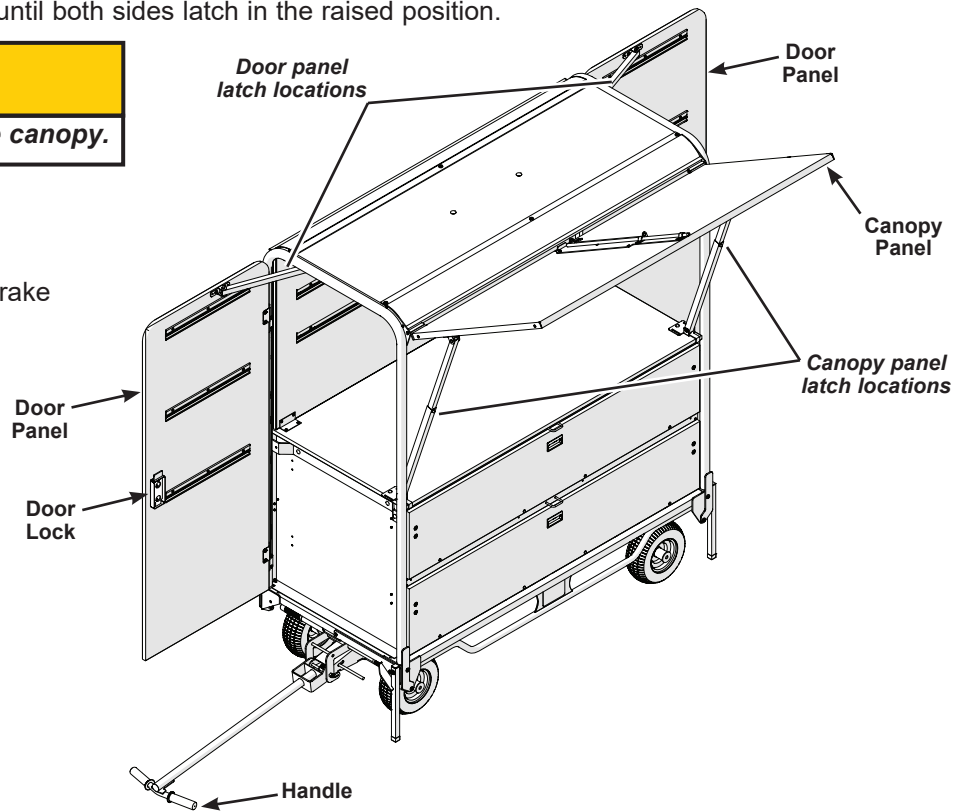
2. Unlock the canopy panel and front drawers.
 - a. Rotate and slide the canopy lock bar up from the lower latch to the upper latch.
 - b. Rotate the lock onto the upper latch to secure in place.



3. Rotate the canopy panel up until both sides latch in the raised position.



4. Open the side doors.
 - a. Disengage the parking brake and lower the handle.
 - b. Pull the door lock up to unlock the door panel.
 - c. Pull the door panel open until the top latches in the open position.
 - d. Raise the handle back up and engage the parking brake.



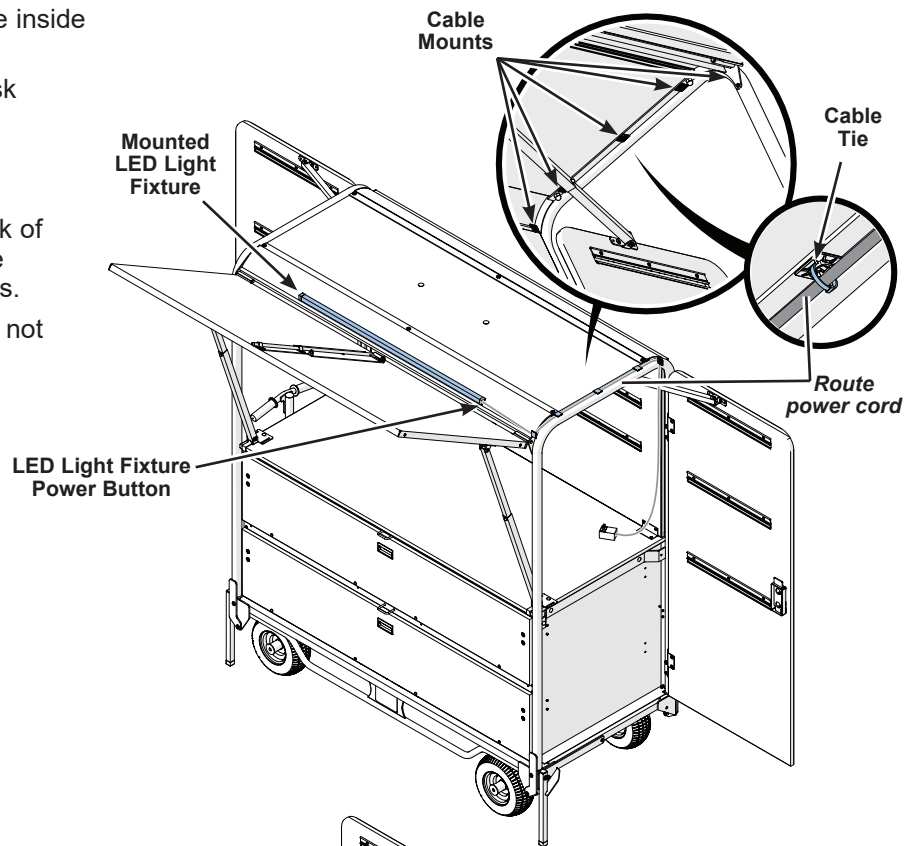
LED Light Fixture



The first time use will require routing and mounting the LED light power cord. These components are stored inside of the plastic storage bins.

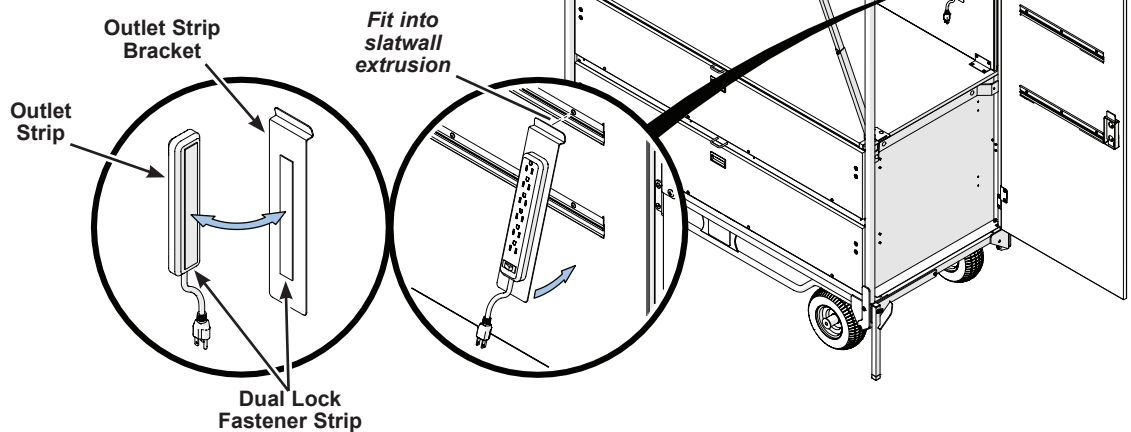
An LED light fixture is attached to the inside front of the top panel.

1. Mount the power cord to the kiosk to prevent loss or damage.
 - a. Plug the power cord into the end of the light fixture.
 - b. Run the cord toward the back of the kiosk and secure it to the cable mounts using nylon ties.To allow cord movement, do not over-tighten.



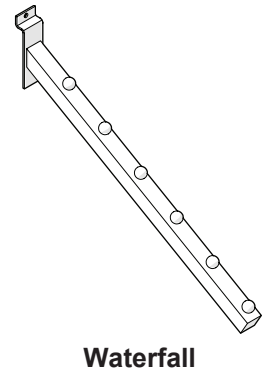
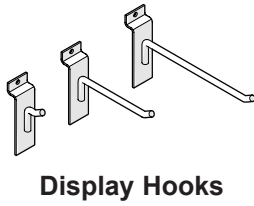
2. Mount the outlet strip.
 - a. Apply a strip of dual lock fastener to both the back of the outlet strip and the front of the outlet strip bracket.
 - b. Press the outlet strip onto the outlet strip bracket.
 - c. Rotate the outlet strip bracket back slightly to fit into the slatwall extrusion and lower the bracket to be flush with the panel surface.

Avoid pinching the cord in the kiosk.



Slatwall Kit Components

1. Mount the slatwall kit components.
These components are stored inside of the plastic storage bins.

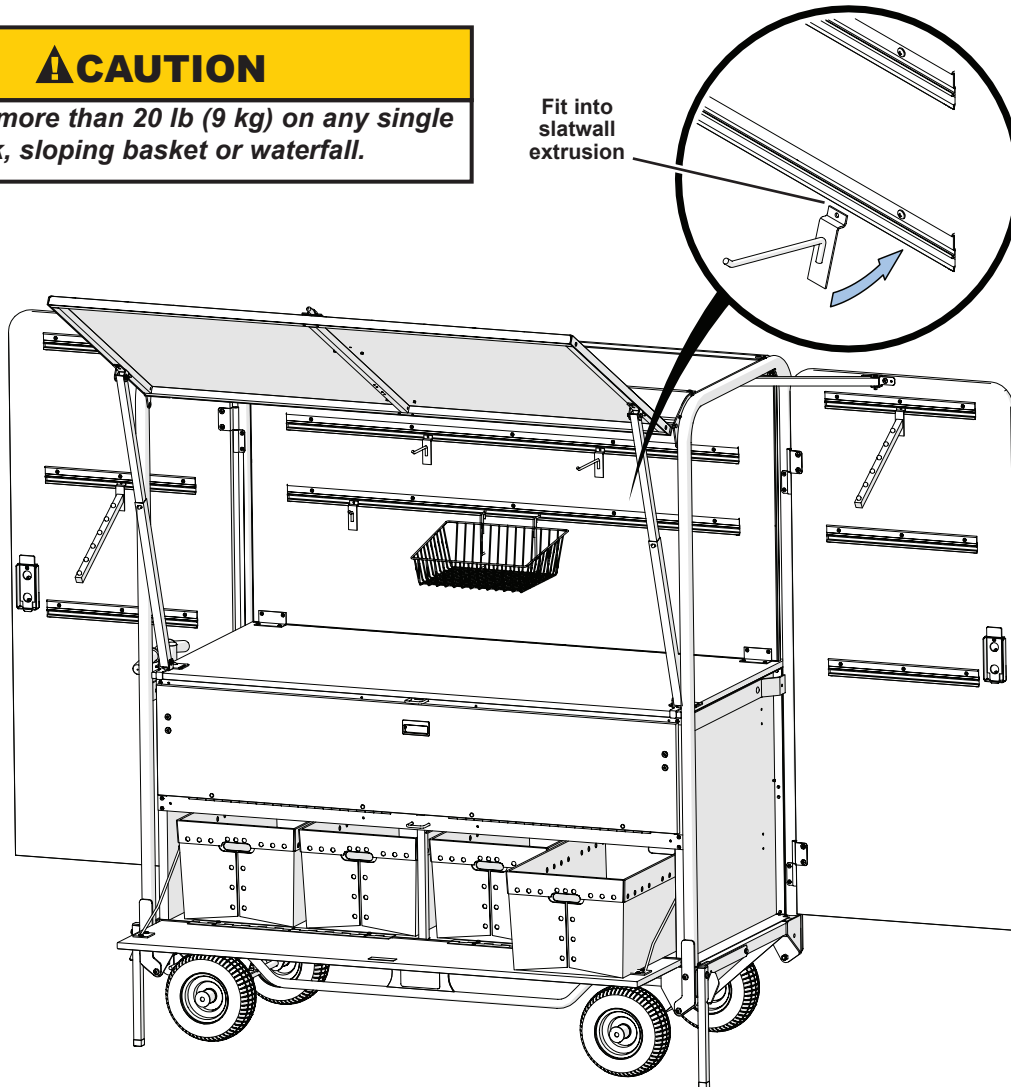


2. At the preferred location, rotate the component back slightly to fit into the slatwall extrusion and lower it to be flush with the panel surface.

CAUTION

Never hang more than 20 lb (9 kg) on any single display hook, sloping basket or waterfall.

Fit into slatwall extrusion



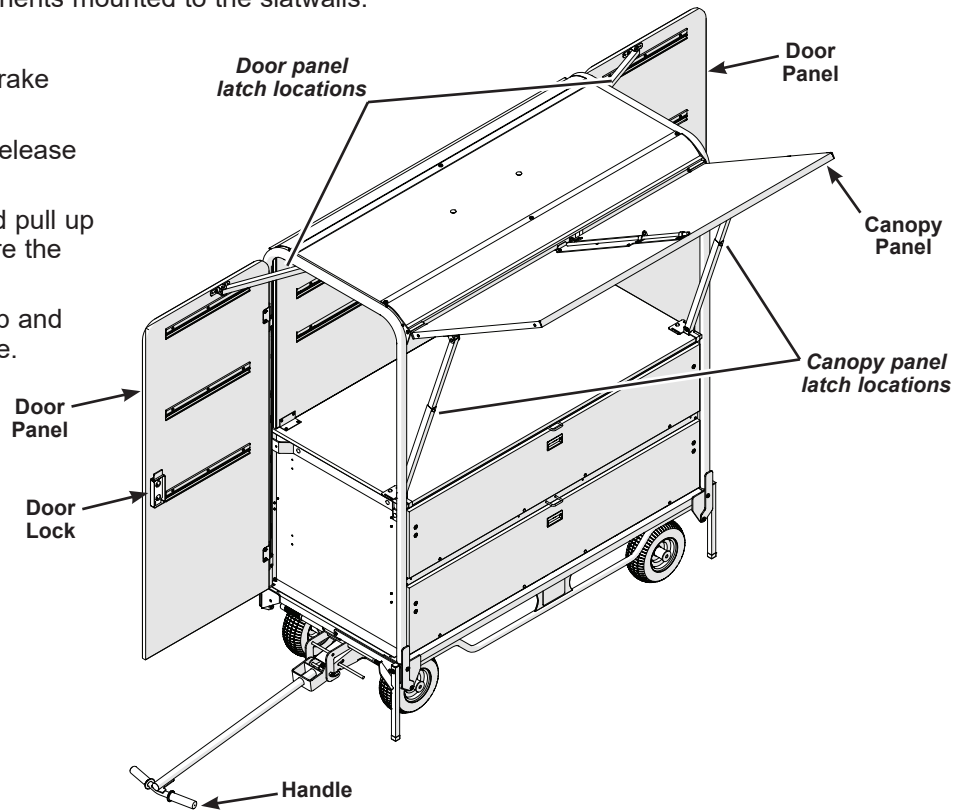
Kiosk Take Down

1. Remove and store any components mounted to the slatwalls.

2. Close the side doors.

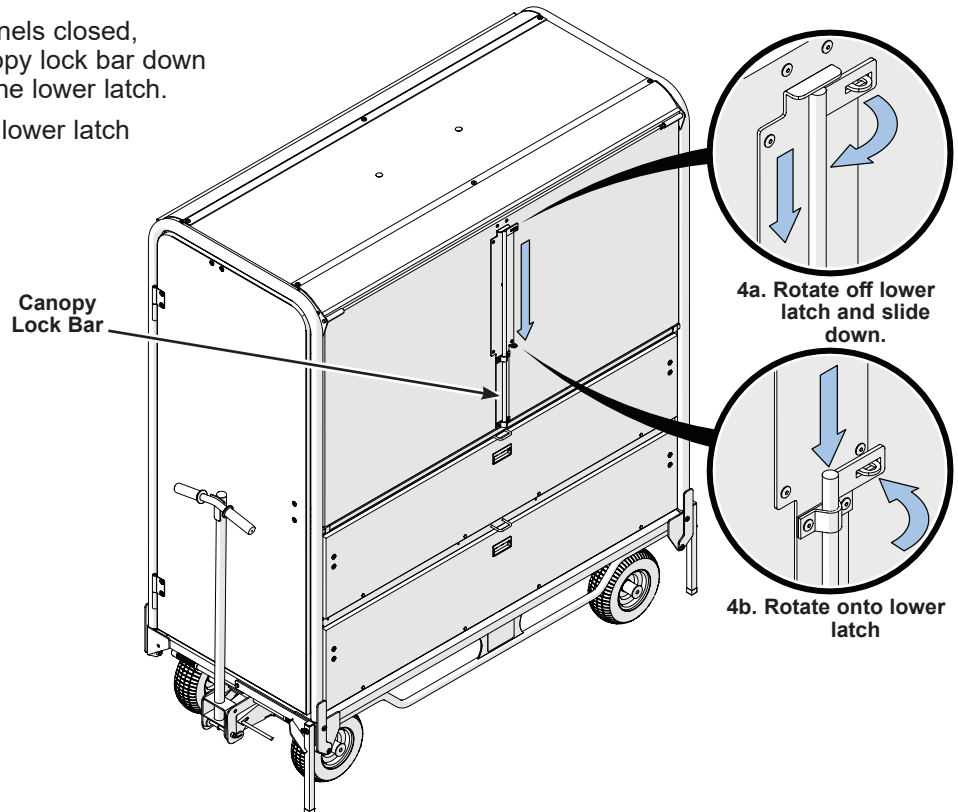
- a. Disengage the parking brake and lower the handle.
- b. Push the top latch in to release the door panel.
- c. Close the door panel and pull up on the door lock to secure the door panel.
- d. Raise the handle back up and engage the parking brake.

3. At both sides of the canopy panel, push in the latch to panel and lower it closed.



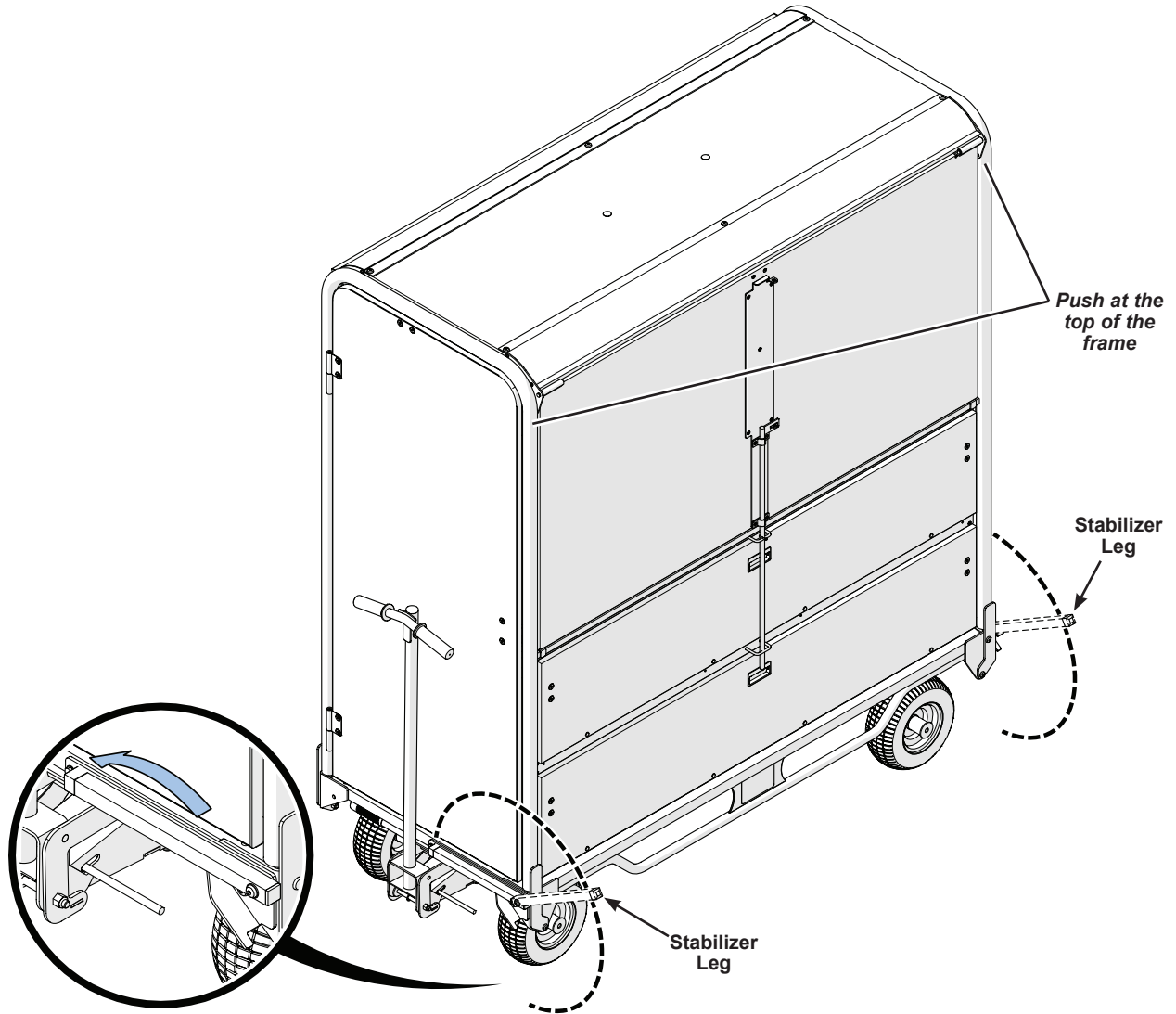
4. Lock the canopy panel and front drawers.

- a. With the front drawer panels closed, rotate and slide the canopy lock bar down from the upper latch to the lower latch.
- b. Rotate the lock onto the lower latch to secure in place.



Kiosk Take Down (continued)

5. Fold up the two stabilizer legs at the front of the kiosk.
 - a. Slightly push back at the top of the frame to allow better floor clearance while pulling each leg with your foot until they begin to fold in.
 - b. Flip each leg back to rest on the kiosk.



Care and Maintenance

Cleaning

Metal Surfaces

Clean with a mild, non-abrasive soap with warm water and a clean, soft cotton cloth.

Never use an abrasive or harsh cleaning agent or a chemical cleaning agent!

Laminate Surfaces

Use a soft, damp cloth to clean all laminate surfaces. For smudges or fingerprints, dampen a cloth with any standard non-abrasive, non-bleach, household cleaner and wipe clean.

Do not use products with bleach on laminate!

Maintenance

1. Periodically check fasteners to ensure that they have not loosened during use.
2. Keep tires inflated to 15-20 psi (103-138 kPa).

Transporting the Kiosk

⚠ CAUTION

Make sure to properly secure the kiosk when transporting.

The kiosk may be loaded onto a truck if the following recommendations are observed:

- Load and unload the kiosk from a loading dock.
- Due to its pneumatic tires, road conditions could cause a kiosk to bounce radically. Blocking and strapping the kiosk will help prevent damage to the unit or its contents.
- Wood blocking from the truck floor the kiosk frame.
- Heavy duty ratchet strap(s), mounted low on the kiosk, anchored to the truck wall.
- Padding between the kiosk and the truck wall to limit damage to the surfaces.

Replacement Parts

Item	Description
1	Top Panel
2	Canopy Panel
3	RH Door Panel
4	Wheel
5	Front Drawer Panel
6	LH Door Panel
7	Back Panel
8	Basket
9	Slatwall Accessory Kit
10	LED Light Kit
11	LED Power Supply

